

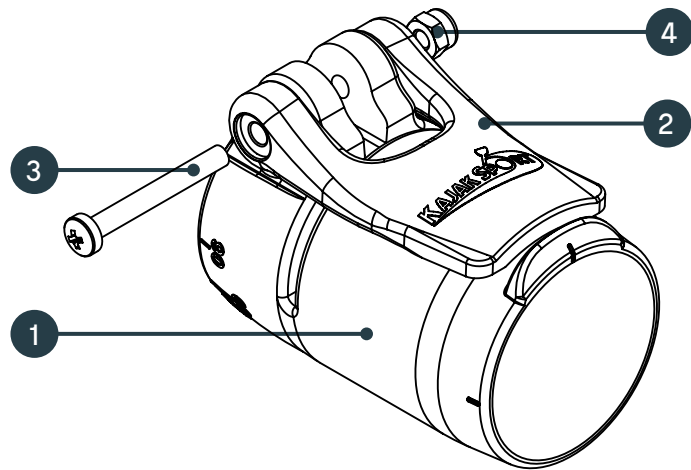
KS SHAFT FERRULE & SHAFT ADJUSTMENT TUBE



FERRULE PART LIST

Parts

1. Ferrule Frame (multiple sizes and codes)
2. Ferrule Handle
3. Pan head, pozi, M3-25, A4, DIN 7985 (433325)
4. Nyloc M3, A4, DIN 985 (462130)



Product code	Shaft outer \varnothing	Shaft inner \varnothing
210304 (Ferrule S)	26,3 mm	24,0 mm
210606 (Ferrule S)	27,0 mm	24,5 mm
211010	28,0 mm	25,5 mm
211012	28,0 mm	26,0 mm
211210	28,5 mm	25,5 mm
211212	28,5 mm	26,0 mm
211214	28,5 mm	26,5 mm
211412	29,0 mm	26,0 mm
211414	29,0 mm	26,5 mm
211416	29,0 mm	27,0 mm
211612	29,7 mm	26,0 mm
211614	29,7 mm	26,5 mm
211616	29,7 mm	27,0 mm
211618	29,7 mm	27,5 mm
211816	30,0 mm	27,0 mm
211818	30,0 mm	27,5 mm
211820	30,0 mm	28,0 mm

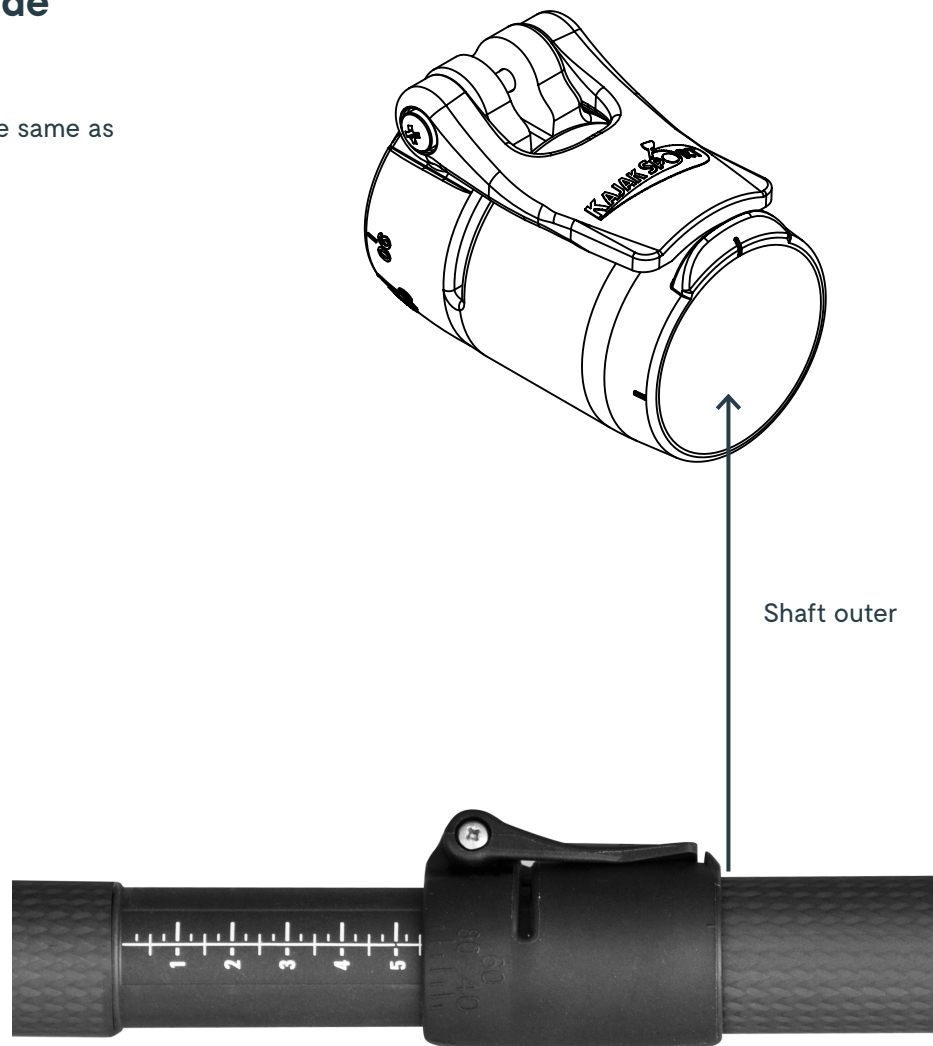
SHAFT FERRULE OUTER Ø

Paddle shaft outside diameter

1. Shaft outside diameter is the same as shaft ferrule outer

Shaft ferrule outer diameters:

- 28 mm
- 28,5 mm
- 29,0 mm
- 29,7 mm
- 30,0 mm



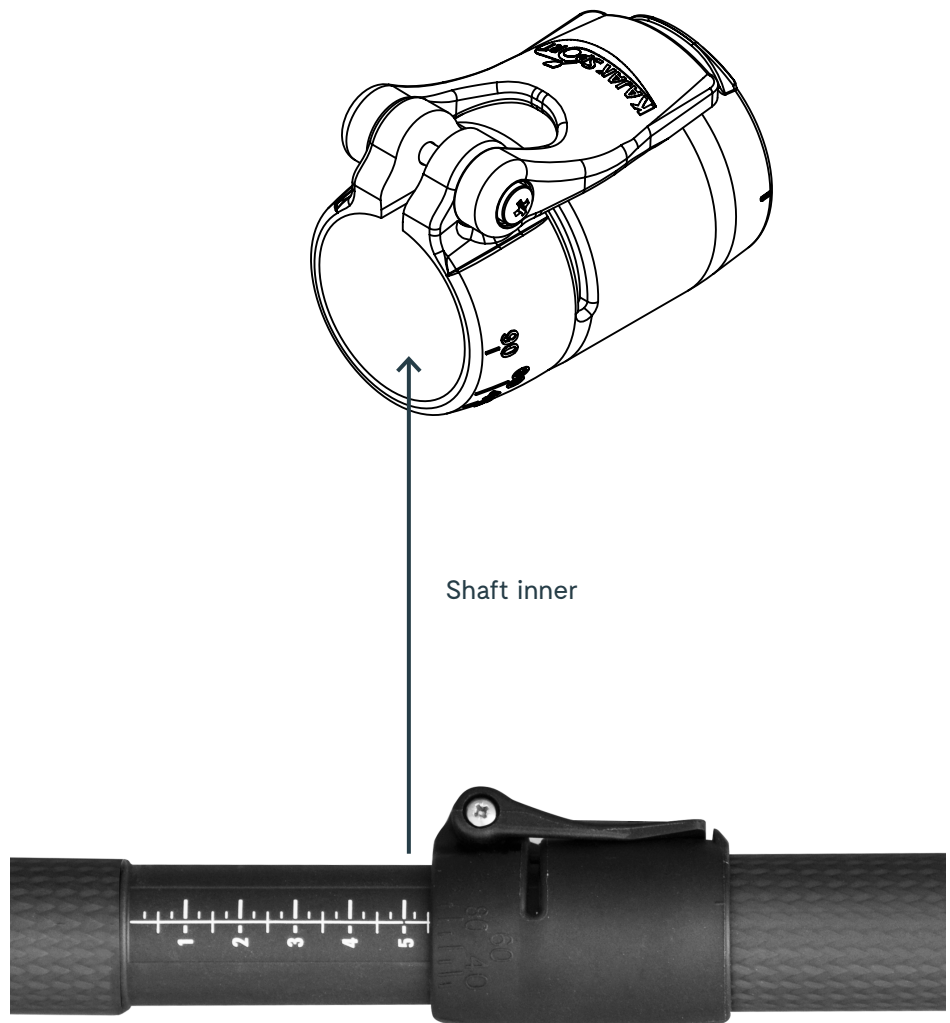
SHAFT FERRULE INNER Ø

Paddle shaft inside diameter

1. Shaft inside diameter must be known before choosing the ferrule
2. Shaft inside diameter can not be measured unless shaft is in two piece
3. If shaft already has length adjustment tube, that is the same diameter as shaft inside diameter.

Shaft ferrule inner diameters:

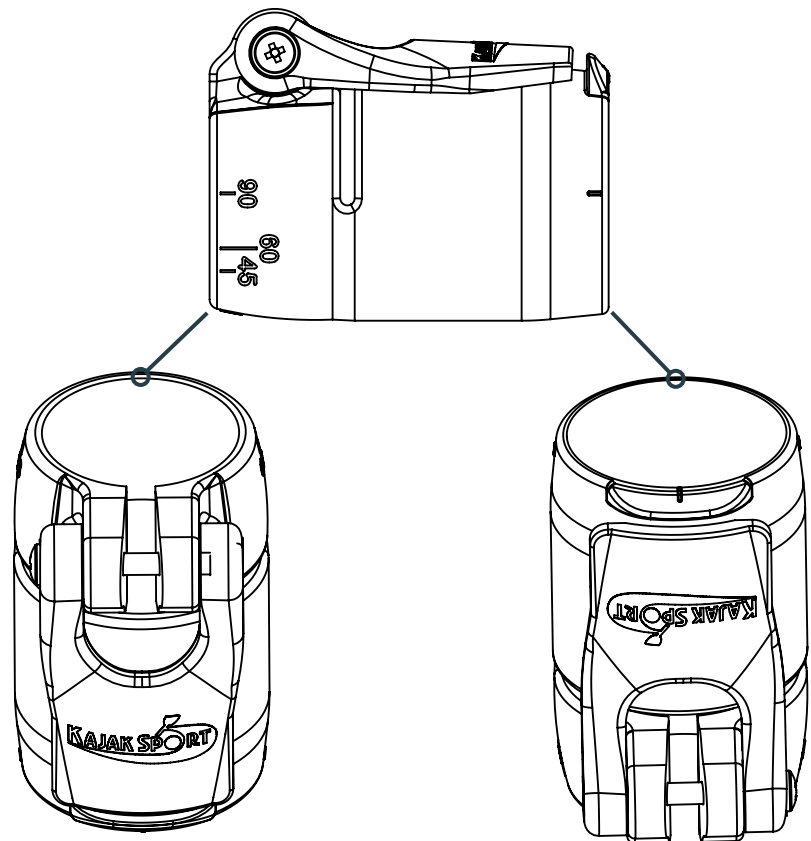
- 25,5 mm
- 26,0 mm
- 26,5 mm
- 27,0 mm
- 27,5 mm
- 28,0 mm



HOW TO IDENTIFY THE FERRULE SIZE

We produce ferrules in several different sizes.

To identify different sizes from each other, there are small dot/line marks added to the both end of the ferrule. You can identify the ferrule size by checking the number of dots/lines.



Shaft inner \varnothing	Number of dots	Shaft outer \varnothing	Number of dots
24,0 mm (Size S)	(2 lines)	26,3 mm (Size S)	(2 lines)
24,5 mm (Size S)	(4 lines)	27,0 mm (Size S)	(4 lines)
25,5 mm	no dots (0 dots)	28,0 mm	no dots (0 dots)
26,0 mm	o (1 dot)	28,5 mm	o (1 dot)
26,5 mm	oo (2 dots)	29,0 mm	ooo (3 dots)
27,0 mm	ooo (3 dots)	29,7 mm	ooooo (5 dots)
27,5 mm	oooo (4 dots)	30,0 mm	no dots (0 dots)
28,0 mm	ooooo (5 dots)		

STORING THE PADDLE

Ensure a long lifecycle

It is strongly recommended to store the ferrule / paddle in an open position, not closed. In open position the ferrule is not under continuous stress and it will lengthen the service life multiple times.



SHAFT ADJUSTMENT TUBE

Shaft adjustment tube

KS Shaft adjustment tube is made of carbon reinforcement material and it has precise bright scale and smooth edges.



Product code	Shaft outer	Material	Lenght / Shaft outer \varnothing
213204	KS Shaft adjustment tube (Ferrule S)	CRP	240 mm / 23,9 mm
213212	KS Shaft adjustment tube	CRP	240 mm / 25,9 mm
213214	KS Shaft adjustment tube	CRP	240 mm / 26,4 mm
213216	KS Shaft adjustment tube	CPR	240 mm / 26,9 mm
213218	KS Shaft adjustment tube	CRP	240 mm / 27,4 mm
213220	KS Shaft adjustment tube	CRP	240 mm / 27,9 mm